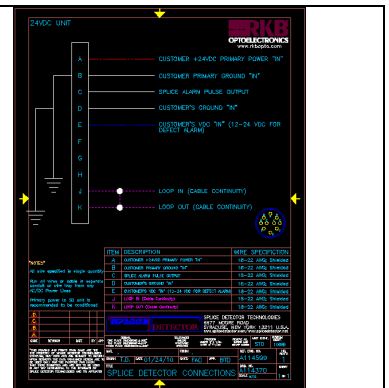
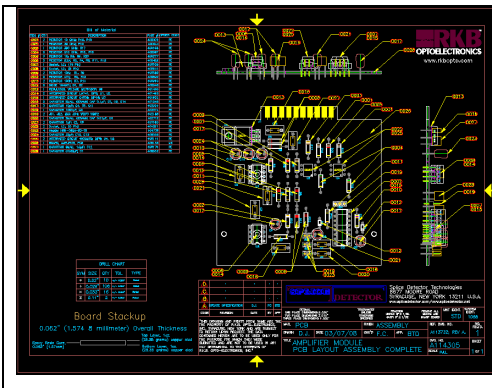
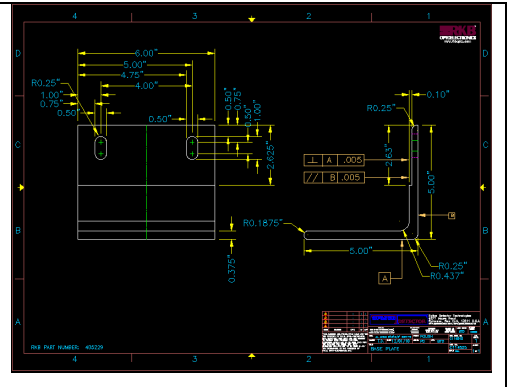
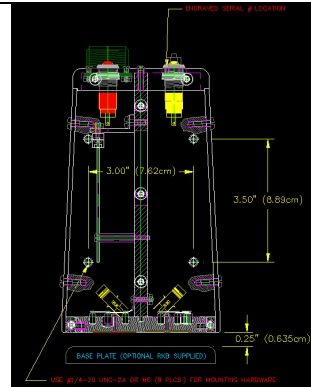
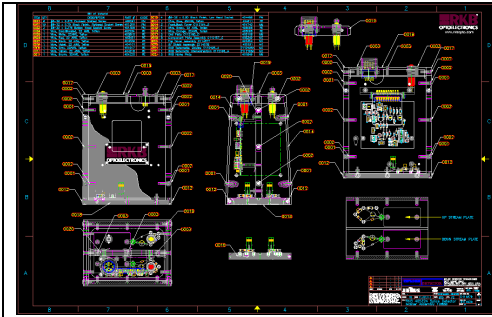
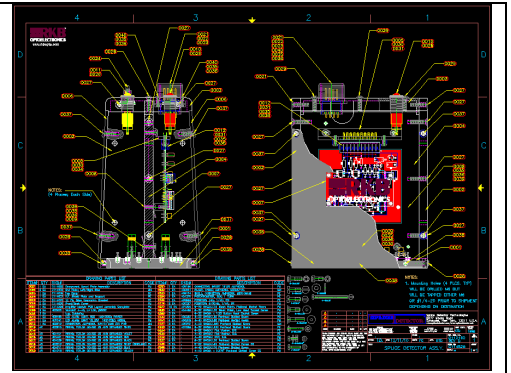
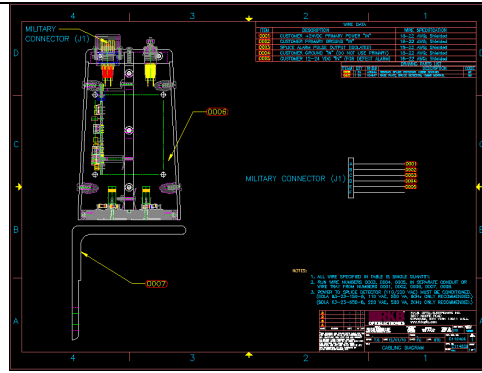
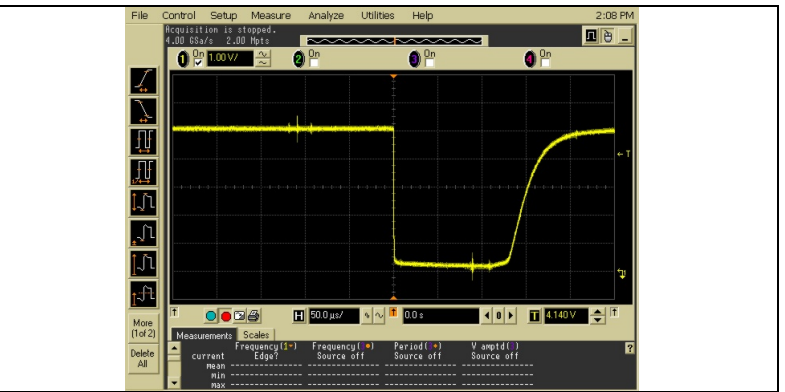
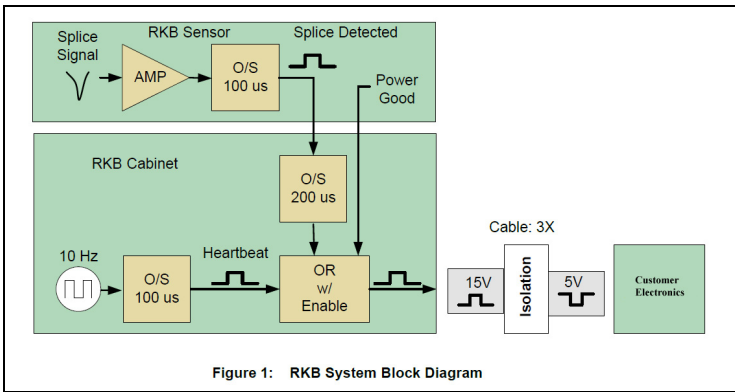
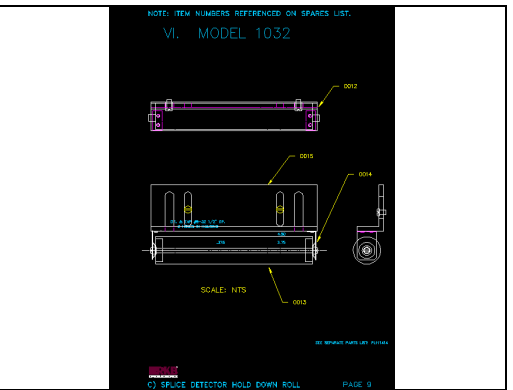
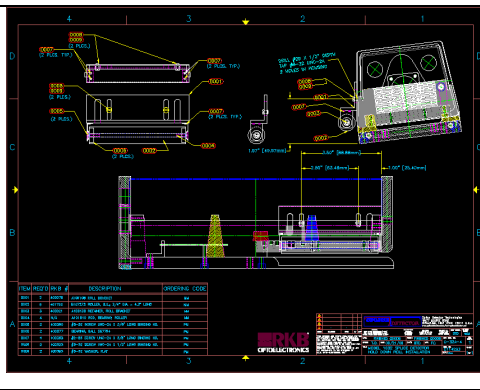
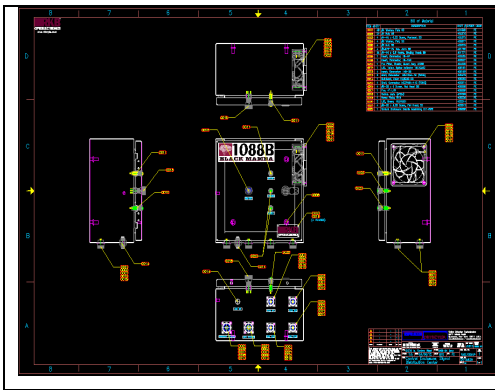
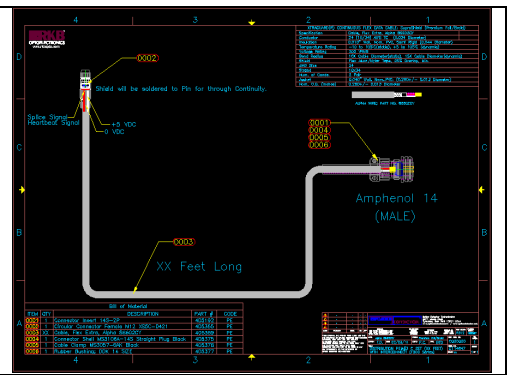
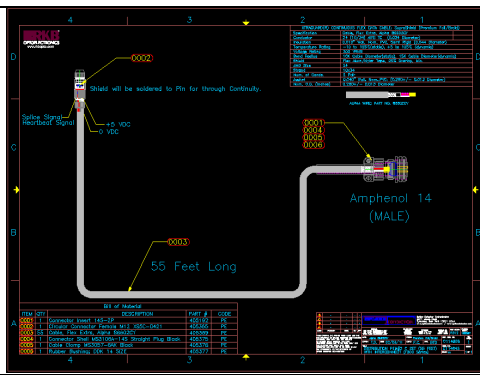
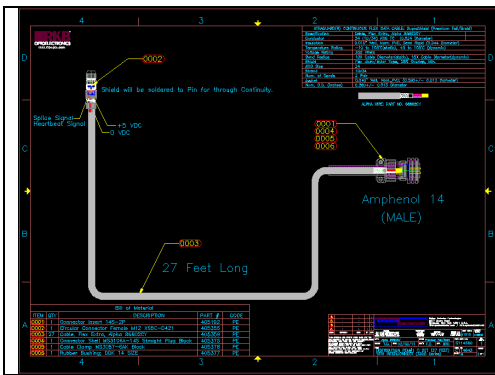
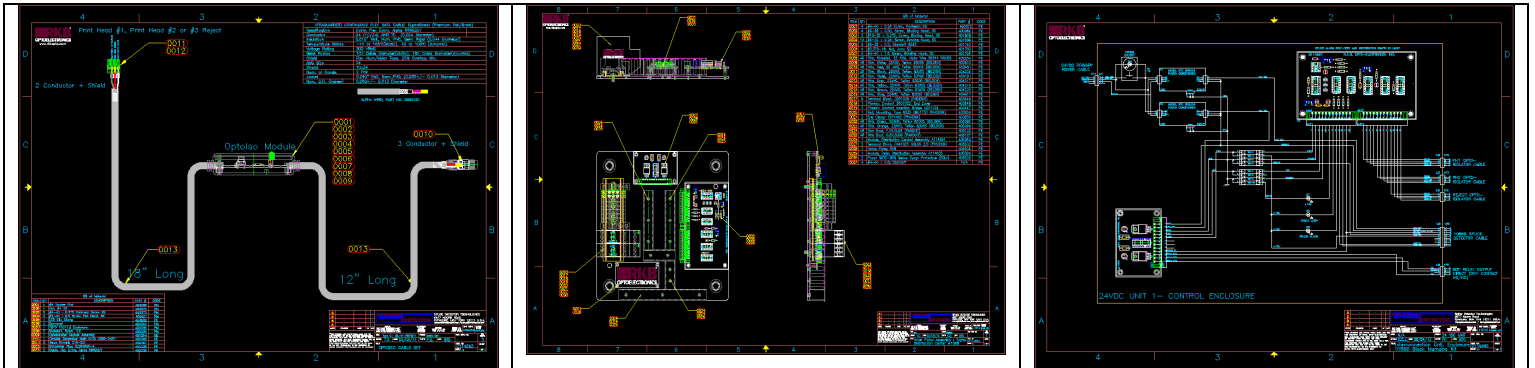


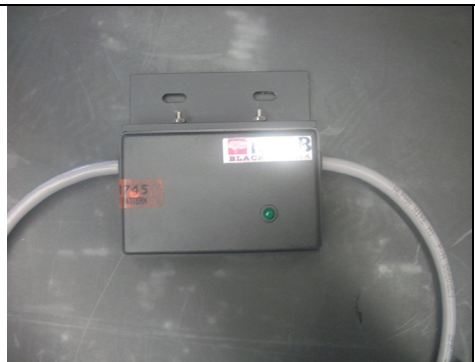
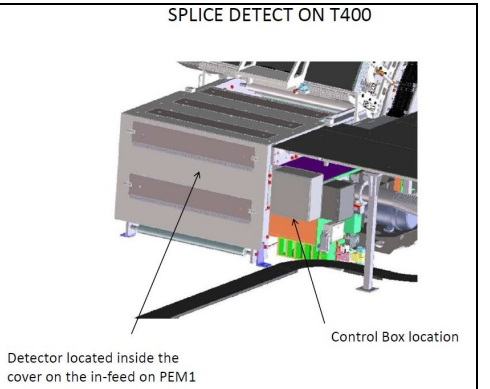
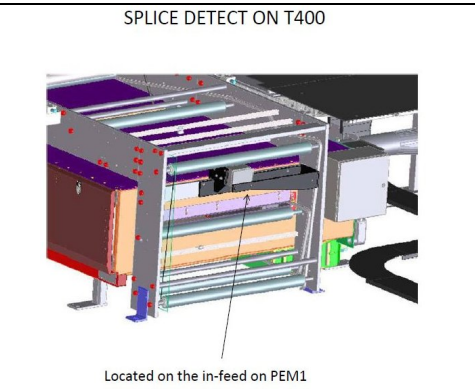
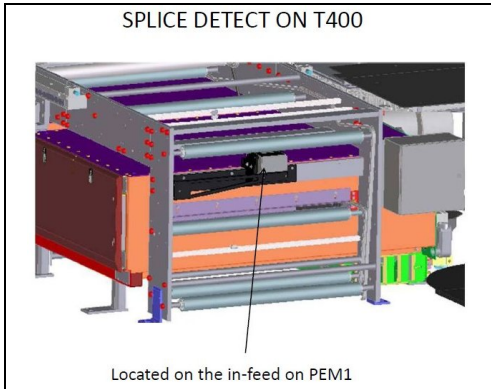
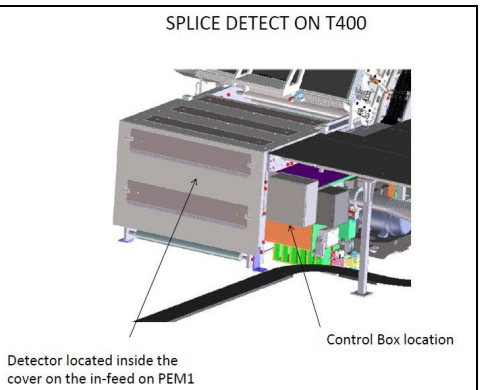
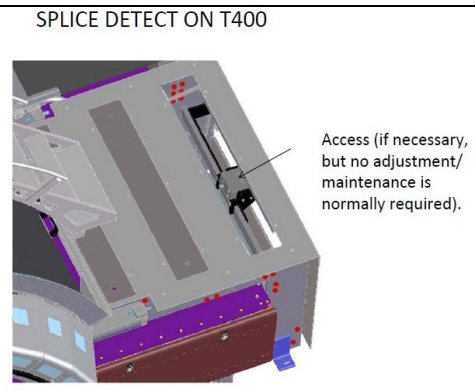
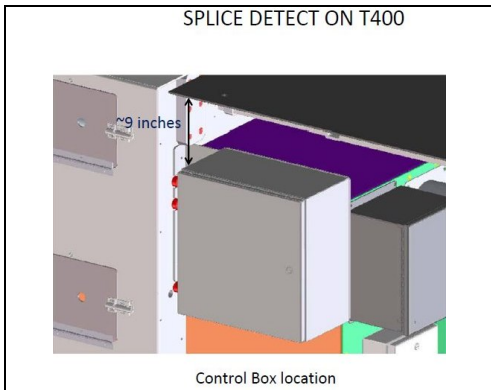
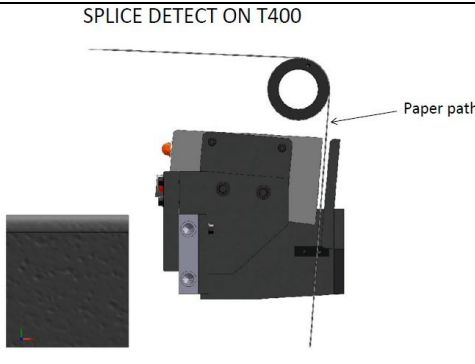
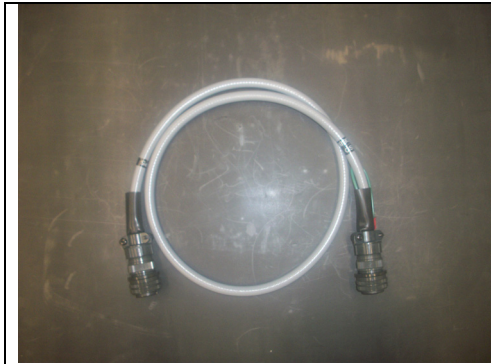
Equipment Pictorial Model 1088B Black Mamba™



Splice (Joint) Technology - SJT Series

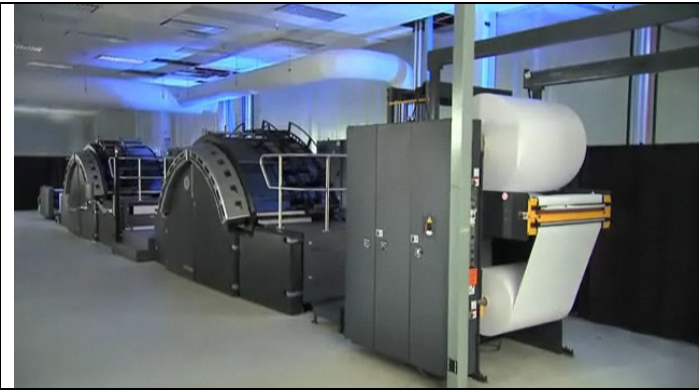
SPLICE DETECTOR





Splice (Joint) Technology - SJT Series

SPLICE DETECTOR



SPLICE DETECT ON T400



Control Box location

Detector located inside the cover on the in-feed on PEM1

